

# FRITZ HANSEN



KAISER idell™ - 6631-T LUXUS  
PRODUCT FACT SHEET

# KAISER idell™ - 6631-T LUXUS

The renowned KAISER idell™ lamp series is characterised by Christian Dell's ability to create elegant design with basic geometric hallmarks of modernism: shapes like the sphere, circle and cylinder. Today, the KAISER idell is widely recognised as a symbol of noble Bauhaus design, exquisite choice of material, and precise engineering.

## PRODUCT TYPE

Table lamp

## ENVIRONMENT

Indoor

## DESIGNER/ YEAR OF DESIGN

Christian Dell, 1931

## DESIGNER

Christian Dell (1893-1974) developed a highly innovative and pioneering style of design while leading the metal workshop at the Bauhaus from 1922-1925. In 1926, Dell began sketching lamps that would change design history. His 6631 Luxus appeared for the first time in a 1936 catalogue and soon became the undisputed top model of the KAISER idell™ series.

## MODELS

6631-T Luxus

## MATERIAL

Shade/Base: Steel (High-gloss or Matt)

Elements: Chrome-plated brass or polished brass (untreated)

## COLOURS

White (High-gloss w. chrome elements)

Black (High-gloss w. chrome elements)

Matt Black (Matt w. chrome elements)

Matt Black (Matt w. brass elements)

Dark Green (High-gloss w. chrome elements)

Ruby Red (High-gloss w. chrome elements)

Easy Grey (Matt w. brass elements)



## FEATURES

Tilttable

## PRODUCTION PROCESS

The lamp is made in steel and brass. The shade/base has a powder coated/wet painted varnished high-gloss/matt finish. The chrome-plated lamp elements consist of silver-soldered and hand-polished brass and the brass elements consist of untreated brass. The top of the swivel joint is embossed with "ORIGINAL KAISER-idell".

## CERTIFICATIONS AND DECLARATIONS

CB, CE

## LAMP RATING AND SPECIFICATIONS

Voltage: 230V

Frequency: 50-60 Hz

IP Rating: IP20

Isolation class: Class II

Bulb included: No

## COUNTRY OF ORIGIN

Latvia (Matt Black (brass) & Easy Grey)

China (All other colours)

## PRE-ASSEMBLED

Yes

## CLEANING AND CARE

Wipe off dust with dry soft cloth. Remove stains with soft cloth dampened in lukewarm water added a mild detergent. Do not use detergents containing abrasives or solvents.

The untreated brass part will start to patinate when it is being exposed to carbon dioxide and other substances, which will result in differences in colour and surface. This is part of the product's unique look but can be polished away.

## PACKAGING

The lamp is covered with a plastic bag and shipped in a cardboard box. Cardboard is used as protection inside the box. All packaging material can be recycled.

## WARRANTY

2 years

## RELATED PRODUCTS

KAISER idell™ - 6631-P (pendant)

# SPECIFICATIONS

## DIMENSIONS

Height: 42,5 cm / 16.7 in

Diameter (shade): 28,5 cm / 11.2 in

Diameter (base): 19,4 cm / 7.6 in

## WEIGHT

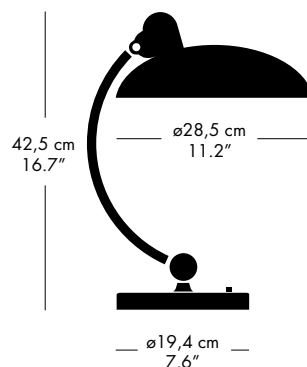
3,8 kg / 8.4 lb

## CORD

Length: 2 m / 78.7"

Material: Textile

Colour: Black



## SWITCH COLOUR

White: White

Black: Black

Matt Black (chrome): Black

Matt Black (brass): Black

Dark Green: White

Ruby Red: White

Easy Grey: Black

## LIGHT SOURCE

Socket: E27

Max wattage: 60W

Size (recommended): Max length 95 mm / 3.7"

## PRODUCT CODE

White: 62701305

Black: 62701408

Matt Black (chrome): 62701508

Matt Black (brass): 92720908

Dark Green: 62701706

Ruby Red: 62701601

Easy Grey: 92720912

## EAN

White: 5702377013052

Black: 5702377014080

Matt Black (chrome): 5702377015087

Matt Black (brass): 5702377209080

Dark Green: 5702377017067

Ruby Red: 5702377016015

Easy Grey: 5702370000653

## PACKAGING

Height: 49,5 cm / 19.5 in

Width: 38 cm / 15 in

Depth: 38,5 cm / 15.2 in

Weight: 6,1 kg / 13.4 lb